



F520

Compact leak detector for production testing



- ✓ **NEW COMPACT FORMAT**
(1/2 19")
- ✓ **OPTIMISED MEASUREMENT**
- ✓ **EASY SET-UP**
- ✓ **HIGH SPECIFICATIONS -
COMPETITIVELY PRICED**

5 SERIES

Without any doubt the smallest high-performance leak detector on the market.

Specially adapted for automatic or semi-automatic test machines, the F520 has a full range of specifications at a very competitive price.



Main Features

- Differential pressure decay leak measurement
- 2 ranges of leak measurement (ΔP)
Full scale: 50 Pa or 500 Pa
- Test modes:
 - ΔP
 - $\Delta P / \Delta t$
 - Flow units
 - Blockage test
 - and others, depending on your applications
- New, faster system to fill parts
- Manual calibration on front panel with calibrated leak
- 16 programs
- **Serial links:**
RS232: printer, bar code reader, P.C. and parameter storage module
RS232: intelligent remote control
RS485: ATEQ network
- 7 inputs / 5 outputs
- Time and date display, choice of languages and units, customisation of tests for your requirements, automatic measurement cycle...



Applications



Automotive: shock absorbers, gearboxes, tank caps, carburettors, non return valves, cylinder heads, filters, radiators, seals, cylinders, engine oil and water circuits...

Domestic appliances: bottles, percolators, cookers, steam irons, ovens, washing machines...

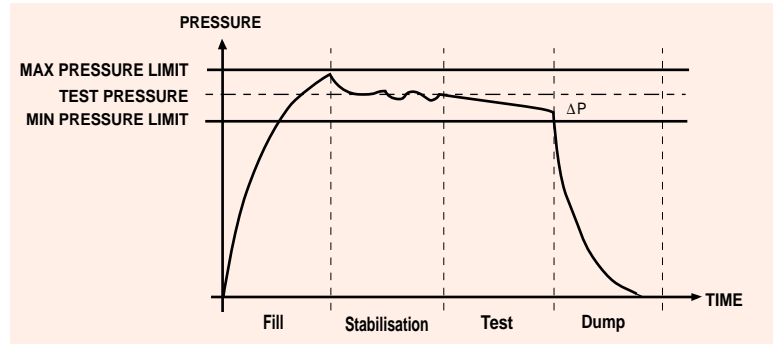
Medical: catheters, dialysis equipment, micropipettes, plastic taps, drain bags, syringes, valves...

Packaging: aerosol cans and valves, trigger pumps, ink cartridges, cosmetic bottles, food sachets...

Options

- Electronic regulator
- Dual pressure
- High speed valve
- 2 pneumatic outputs for control of sealing connectors
- 6 x 24 V programmable outputs for external connection
- 2 analogue outputs:
0 - 10 V or 4 - 20 mA
- Automatic calibration check
- Temperature compensation

Principle of Measurement



Measurement Ranges

ΔP MEASUREMENT		
RANGE	ACCURACY	MAXIMUM RESOLUTION
0 - 50 Pa	±2.5% P+1Pa	0.01 Pa
0 - 500 Pa	± 2.5% P+1Pa	0.1 Pa

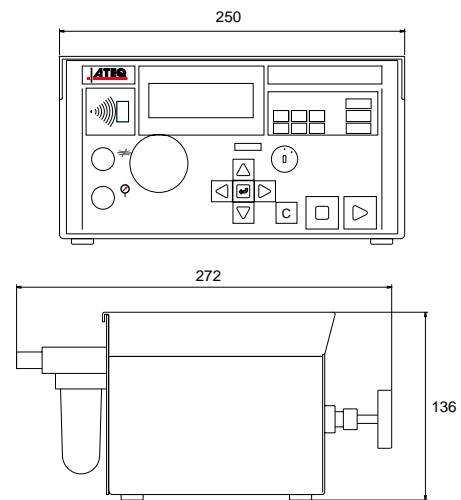
PRESSURE MEASUREMENT		
RANGE	ACCURACY	MAXIMUM RESOLUTION
All ranges	± 2.5% P+1Pa	0.1% of full scale

MECHANICAL PRESSURE REGULATION

Vacuum / 5 - 50 kPa / 20 - 400 kPa / 50 - 900 kPa

ELECTRONIC PRESSURE REGULATION

Vacuum / 1 - 10 kPa / 5 - 50 kPa / 20 - 200 kPa / 50 - 500 kPa / 100 - 1 000 kPa / 100 - 1 600 kPa / 100 - 2 000 kPa



Technical Specifications

- **Physical**
Weight: approximately 4 kg
- **Interface**
Navigation keys
4-line LCD display
Results indicator lights
- **External electrical supply**
Voltage: 24 V DC / 1.6 A
Mains adapter included (110 - 240 V AC)
- **Air supply**
Clean and dry air required
Air quality standard to be applied (ISO 8573-1)
- **Temperature**
Operating : + 10°C to + 45°C
Storage : 0°C to + 60°C

Accessories

Start/Reset remote control
Intelligent remote control
RC5
Printer
Infrared switch
Parameter storage module
ATEQ software
(Winateq - S5demo)
Needle valve
Calibrated leak
Filtration kit
Vacuum pump
Sealing connectors
Please refer to ATEQ accessories list



Head Office:

15, rue des Dames - ZI des Dames - 78340 Les Clayes-Sous-Bois - France
(: + 33 (0)1 30 80 10 20 - Fax : + 33 (0)1 30 54 11 00 - e-mail : info@ateq.com
www.ateq.com